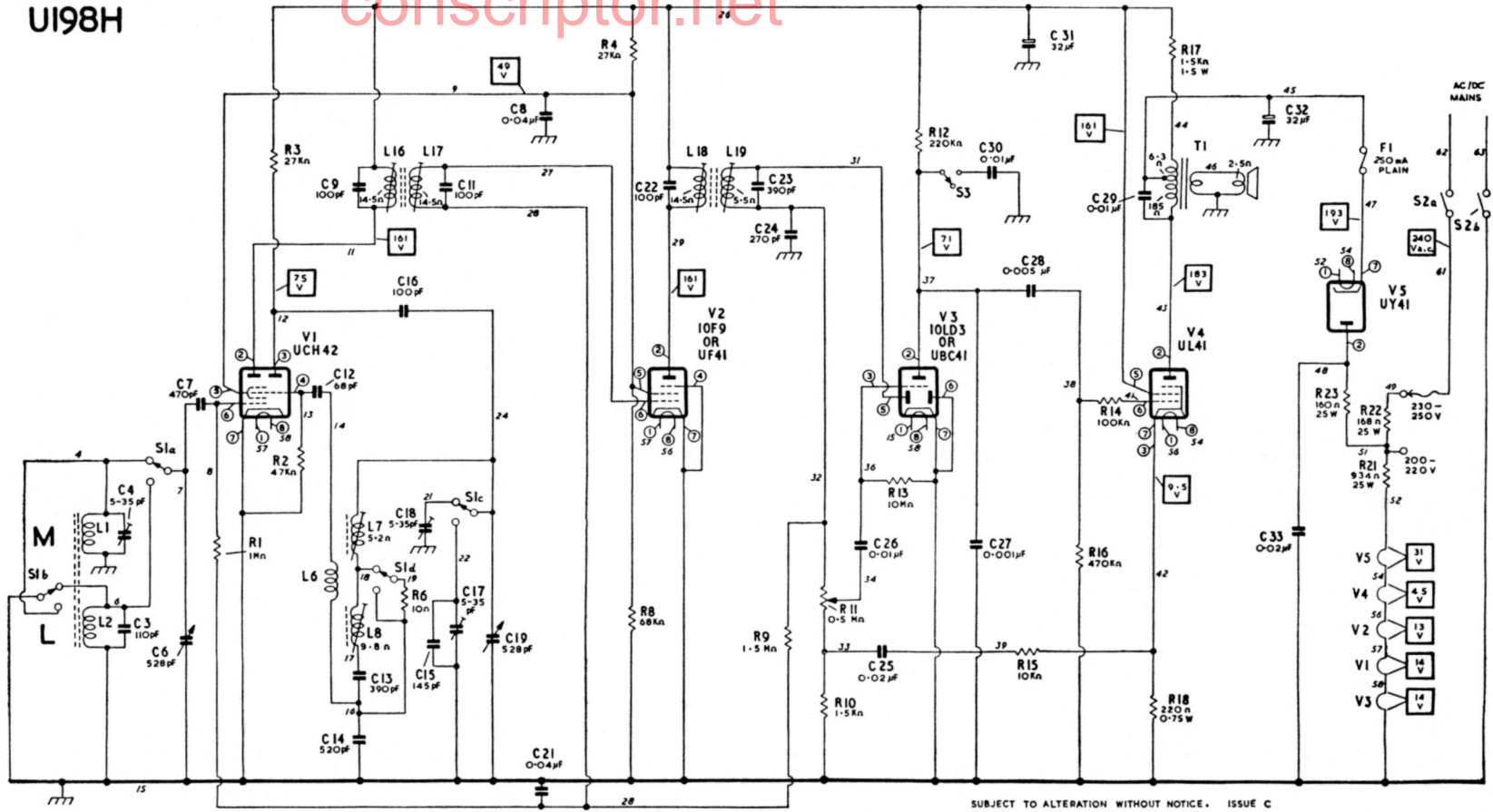


UI98H

conscriptor.net



SUBJECT TO ALTERATION WITHOUT NOTICE. ISSUE C

Circuit voltages are shown within rectangles and were measured with a 20,000  $\Omega/V$  meter while the receiver was switched to the M band under no-signal conditions.

Where the resistance of a coil is less than one ohm the value is omitted.

Component terminals and connecting leads are identified by test

point (t.p.) numbers which correspond with those appearing on the chassis drawings.

The valve pin numbers are shown within small circles.

**Tone switch.** In some of the very early sets, S3 and C30 were not fitted.