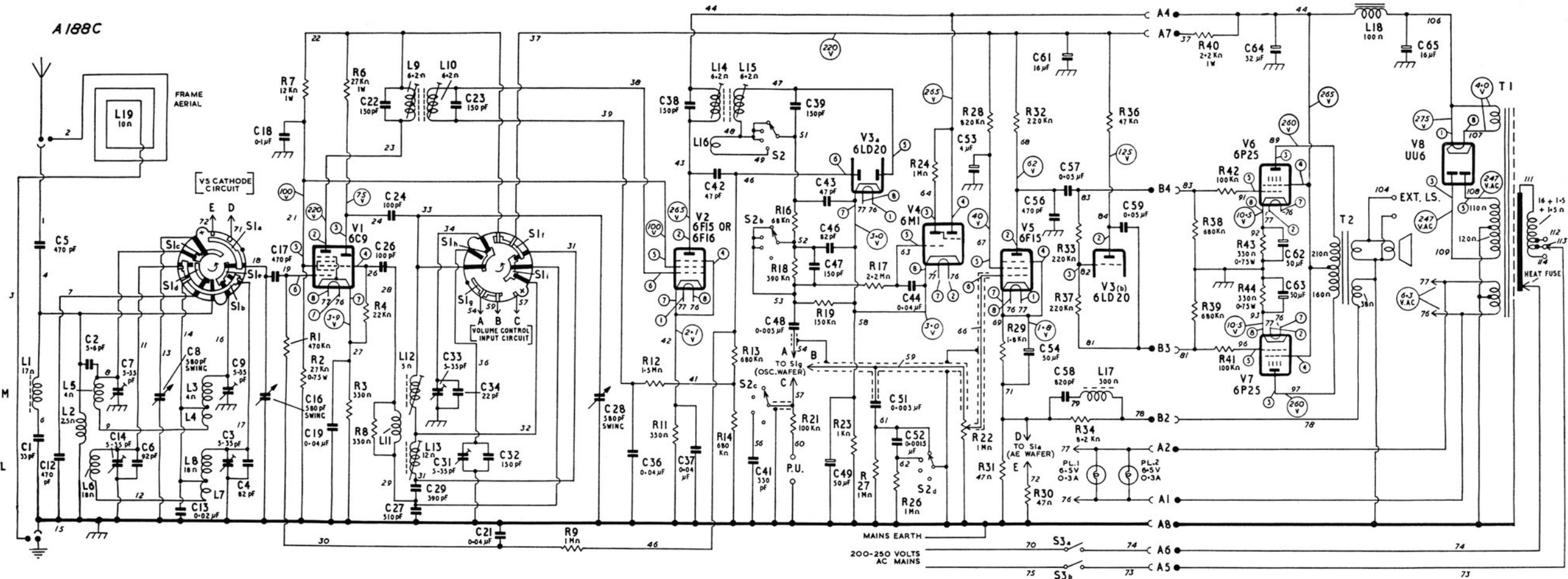


conscriptor.net



SUBJECT TO ALTERATION WITHOUT NOTICE ISSUE F.

The switch wafers are drawn as seen from the rear of the receiver and the lugs marked with a cross are the nearer to the chassis. The black contacts and inner rotors are on the hidden sides of the wafers. Blank positions and anchoring tags are shown by a spot.

The wave-band switch (S1a-S1i) is shown in position M; rotate anti-clockwise for L and G.

The tone/selectivity switch (S2a-S2d) is shown in position 1; rotate anti-clockwise for positions 2, 3, and 4.

Circuit voltages are shown within large circles and were measured with a $20\text{K}\Omega/\text{V}$ meter while the receiver was switched to the M band under no signal conditions.

The valve pin numbers are shown within small circles.

Where the resistance of a coil is less than one ohm, the value is omitted.

Component terminals and connecting leads are identified by test point (t.p.) numbers which correspond with those appearing on the chassis drawings.

Fig. 4.