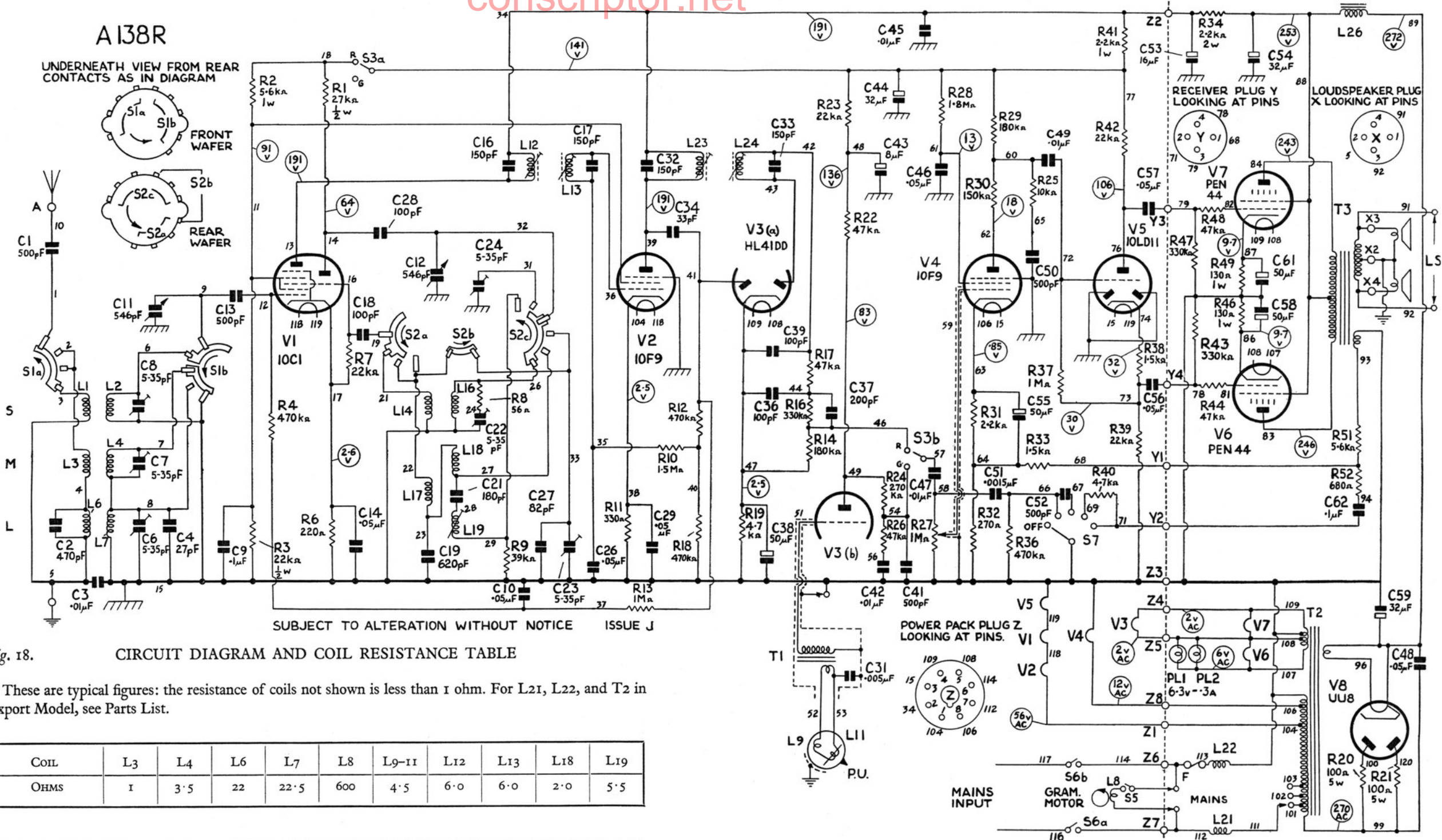


conscriptor.net



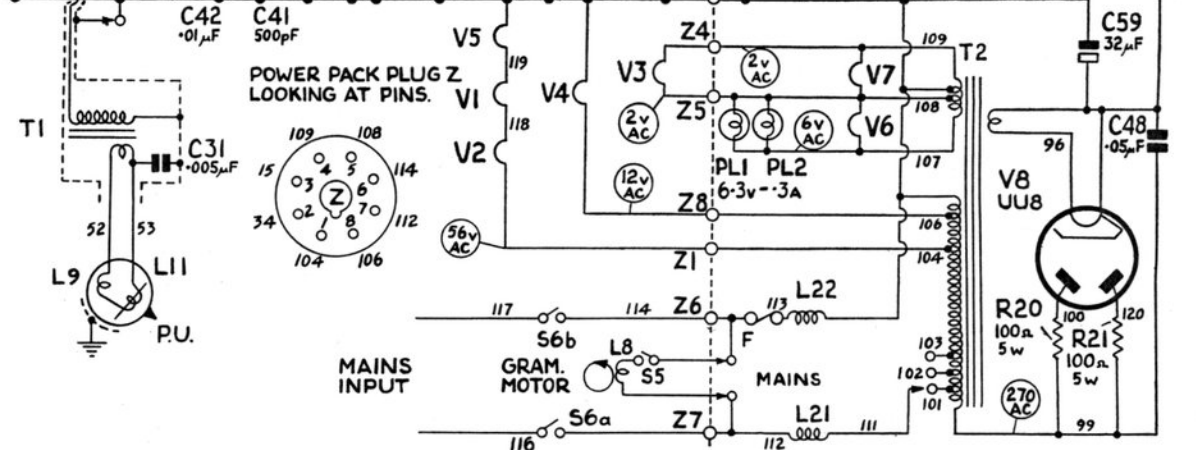
SUBJECT TO ALTERATION WITHOUT NOTICE ISSUE J

Fig. 18. CIRCUIT DIAGRAM AND COIL RESISTANCE TABLE

These are typical figures: the resistance of coils not shown is less than 1 ohm. For L21, L22, and T2 in Export Model, see Parts List.

COIL	L3	L4	L6	L7	L8	L9-11	L12	L13	L18	L19
OHMS	1	3.5	22	22.5	600	4.5	6.0	6.0	2.0	5.5

COIL	L21	L22	L23	L24	L26	T1 Sec.	T2	T3 F.B. Wdg.	T3 pri.
OHMS	1.5	1.5	6.0	6.0	95	2100	27	14	160 + 130



POWER PACK CHASSIS

The voltage measurements were made under "no signal" conditions using a 500 ohm/voltmeter. Layout drawings with valve base diagrams are on pages 11, 15, 16, and 17.